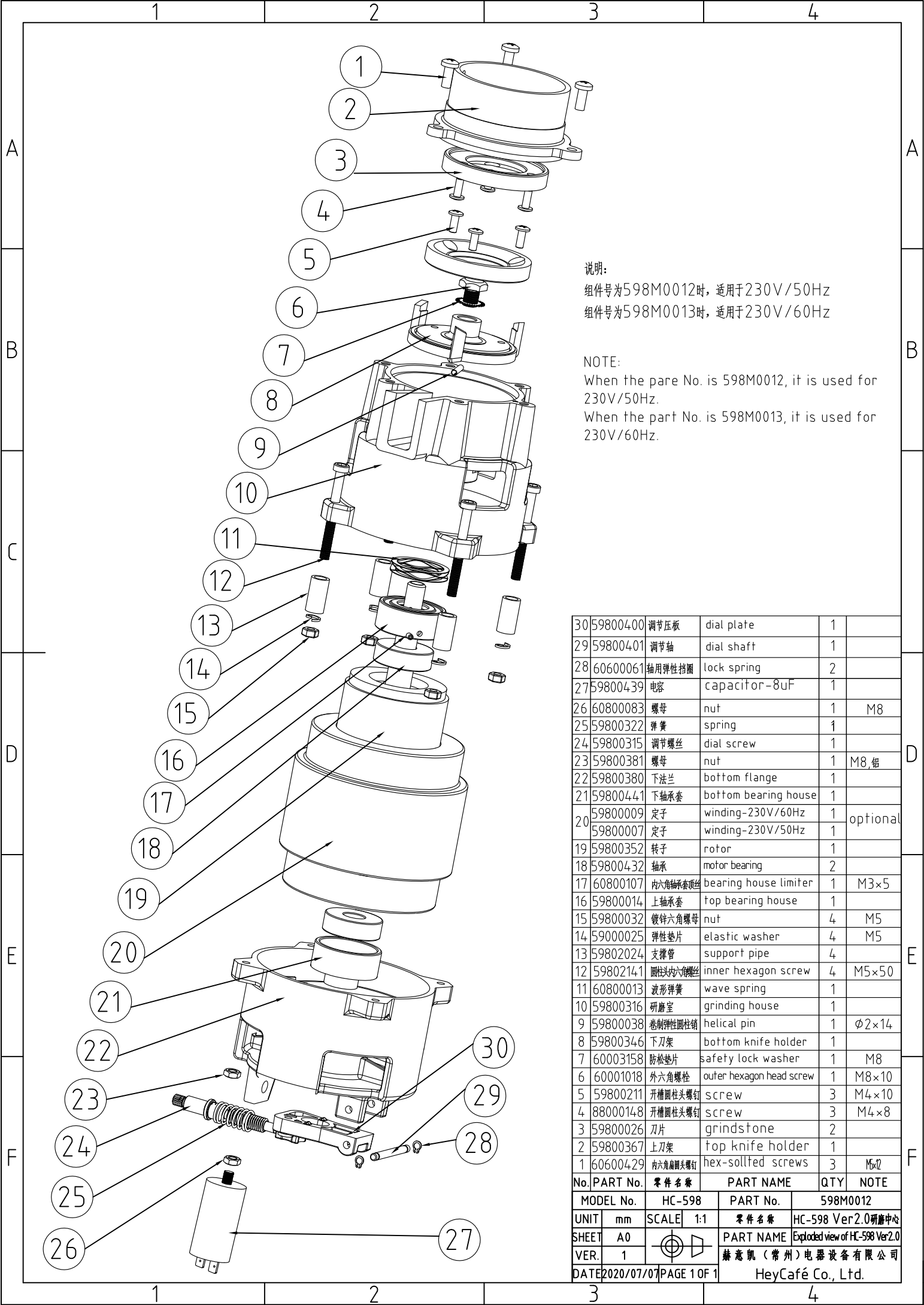


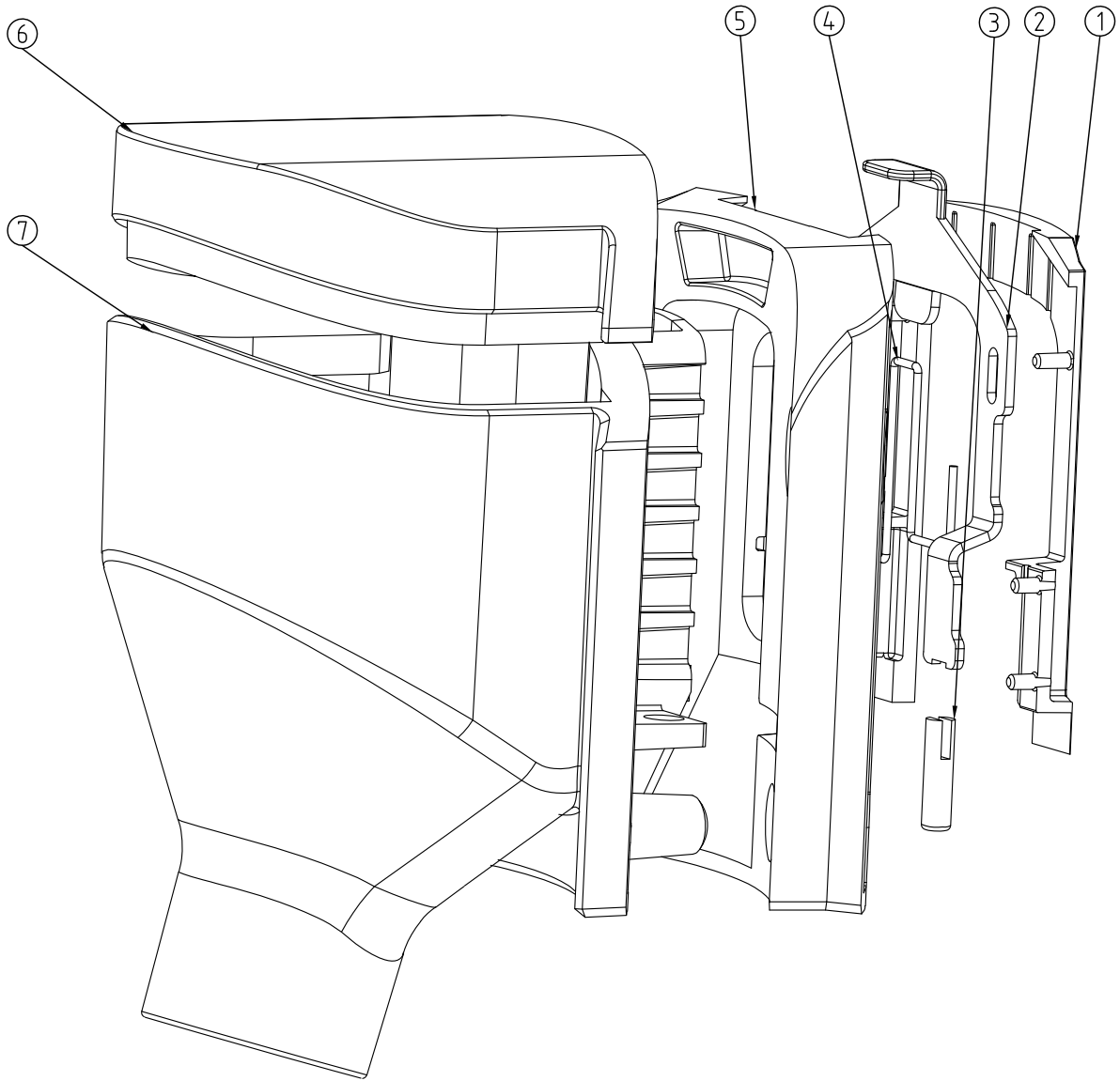
59	59800404	前硅胶板	top front adaptor	1	
58	59800382	海绵垫	sponge mat	1	
57	598M0053	ODG漏斗外壳材料	outlet housing sef(esp)	1	
56	60800124	镀锌六角螺母	nut	2	M4
55	59800351	螺钉	screw	2	M4×18
54	59800374	自攻螺钉	self tapping screw	2	ST4.8×16
53	60800265	过滤网上盖	upper cover	1	
52	60002281	螺钉	screw	2	
51	608002311	微动开关	micro switch	1	
50	60002013	螺钉	screw	2	M4×12
49	60800119	微动开关盖	switch cover	1	
48	60800124	镀锌六角螺母	nut	2	M4
47	60800121	微动开关弹簧	switch spring	2	
46	59800030	螺钉	screw	4	
45	59800349	ODG过滤器支架	ODG fliter holder	1	
44	60800122	触片	trigger plate	1	
43	60001725	开关按钮	knob	1	
42	60800208	按钮支架	knob frame	1	
41	59800431	平头十字扁尾自攻螺钉	self-tapping screw	2	PT4×16
40	59800413	按钮适配器海绵垫	switch knob adaptor sponge sticker	1	
39	60001619	指示灯	signal lamp	1	230v
38	59800414	LED适配器	LED adaptor	1	
37	59800438	椭圆形垫圈	washer	2	
36	60002312	主开关	main switch	1	
35	59800306	托盘	tray	1	
34	59800360	机身底座盖板	base weight plate	1	
33	59800379	大平垫圈	big flat washer	4	φ5
32	59800372	螺钉	self tapping screw	5	ST4.8×9.5
31	59800373	螺钉	self tapping screw	4	ST4.8×13
30	60002200	机脚	leg	5	
29	59800430	自攻螺钉	self-tapping screw	1	ST4.2×19
28	59800326	螺钉	screw	4	ST4.2×19
27	60002340	电线线扣	wire bushing	1	
26	59800361	机身底座	base	1	
25	60004050	ODG V3主板	PCB plate ODG V3	1	
24	60002281	自攻螺丝	tapping screw	2	ST3×8
23	59800411	下机身	bottom body	1	
22	64800008	电机缓冲垫	motor cushion	3	
21	60001107	螺钉	screw	1	M3×10
20	59800327	颗粒微调按钮贴	dial knob sticker	1	
19	59800405	颗粒微调按钮	dial knob	1	
18	59800328	刻度贴	scale sticker	1	
17	59800406	颗粒微调按钮支架	dial knob adaptor	1	
16	59800317	机身	body	1	
15	598M0013	研磨核心	core grinder	1	230v 60Hz optional
14	598M0012	研磨核心	core grinder	1	230v 50Hz
13	59800030	螺钉	screw	2	Ø18×13.6mm
12	59800325	上适配器	top adaptor plate	1	
11	59800412	上机身	top body	1	
10	59800031	螺钉	screw	1	ST4.2×13
9	59800326	螺钉	screw	4	ST4.2×19
8	60800065AA	螺钉	screw	3	M5×12
7	59800321	螺母套	self tapping	1	M6×M4×8
6	60800103	六角平端紧定螺钉	hopper screw	1	M4×10
5	59800312	机身上盖	top cover	1	
4	88000114	螺钉	screw	1	M4×14
3	60001608	漏斗转接器	hopper adaptor	1	
2	60001111	漏斗门	hopper door	1	
1	60001346	漏斗	hopper	1	
1	60001491	漏斗盖	hopper lid	1	
No.	PART No.	零件名称	PART NAME	QTY	NOTE
MODEL No. Titan1 ODG V3			PART No.	59800337	
UNIT	mm	SCALE	1:2	零件名称 Titan1 ODG V3 VER2.0 规格	
SHEET	A0	PART NAME		Exploded view of Titan1 ODG V3 VER2.0	
VER.	1	赫志凯(常州)电器设备有限公司			
DATE	2021/05/21	PAGE	1 OF 1	HeyCafé Co., Ltd.	



说明:  
 组件号为598M0012时, 适用于230V/50Hz  
 组件号为598M0013时, 适用于230V/60Hz

NOTE:  
 When the part No. is 598M0012, it is used for 230V/50Hz.  
 When the part No. is 598M0013, it is used for 230V/60Hz.

30	59800400	调节压板	dial plate	1	
29	59800401	调节轴	dial shaft	1	
28	60600061	轴用弹性挡圈	lock spring	2	
27	59800439	电容	capacitor-8uF	1	
26	60800083	螺母	nut	1	M8
25	59800322	弹簧	spring	1	
24	59800315	调节螺丝	dial screw	1	
23	59800381	螺母	nut	1	M8,铝
22	59800380	下法兰	bottom flange	1	
21	59800441	下轴承套	bottom bearing house	1	
20	59800009	定子	winding-230V/60Hz	1	optional
	59800007	定子	winding-230V/50Hz	1	
19	59800352	转子	rotor	1	
18	59800432	轴承	motor bearing	2	
17	60800107	内六角轴承套顶丝	bearing house limiter	1	M3×5
16	59800014	上轴承套	top bearing house	1	
15	59800032	镀锌六角螺母	nut	4	M5
14	59000025	弹性垫片	elastic washer	4	M5
13	59802024	支撑管	support pipe	4	
12	59802141	圆柱内六角螺丝	inner hexagon screw	4	M5×50
11	60800013	波形弹簧	wave spring	1	
10	59800316	研磨室	grinding house	1	
9	59800038	卷制弹性圆柱销	helical pin	1	φ2×14
8	59800346	下刀架	bottom knife holder	1	
7	60003158	防松垫片	safety lock washer	1	M8
6	60001018	外六角螺栓	outer hexagon head screw	1	M8×10
5	59800211	开槽圆柱头螺钉	screw	3	M4×10
4	88000148	开槽圆柱头螺钉	screw	3	M4×8
3	59800026	刀片	grindstone	2	
2	59800367	上刀架	top knife holder	1	
1	60600429	内六角扁圆头螺钉	hex-sollted screws	3	M6×2
No.	PART No.	零件名称	PART NAME	QTY	NOTE
MODEL No.	HC-598	PART No.	598M0012		
UNIT	mm	SCALE	1:1	零件名称	HC-598 Ver2.0研磨中心
SHEET	A0			PART NAME	Exploded view of HC-598 Ver2.0
VER.	1				赫意凯(常州)电器设备有限公司
DATE	2020/07/07	PAGE	1 OF 1		HeyCafé Co., Ltd.



7	59800435	出粉室短轴	ODG outlet short	1	
6	60001714	出粉室盖	ODG outlet cover	1	
5	60800230	出粉室连接板	powder outlet adaptor	1	
4	59800146	安全保护轴	safety wire	1	Titan I
3	60001001	压板定位轴	locking pin	2	
2	60000890	出粉室固定压板	outlet lock	1	
1	60001027	出粉室固定压板盖	outlet lock cover	1	
No.	PART No.	零件名称	PART NAME	QTY	NOTE
MODEL No.	Titan I ODG	PART No.	598M0053		
UNIT	mm	SCALE	2:1	零件名称	意式出粉室零件
SHEET	A3		PART NAME	outlet set (esp)	
VER.	3		赫意凯(常州)电器设备有限公司		
DATE	2021/05/21	PAGE	1 OF 1	HeyCafé Co., Ltd.	