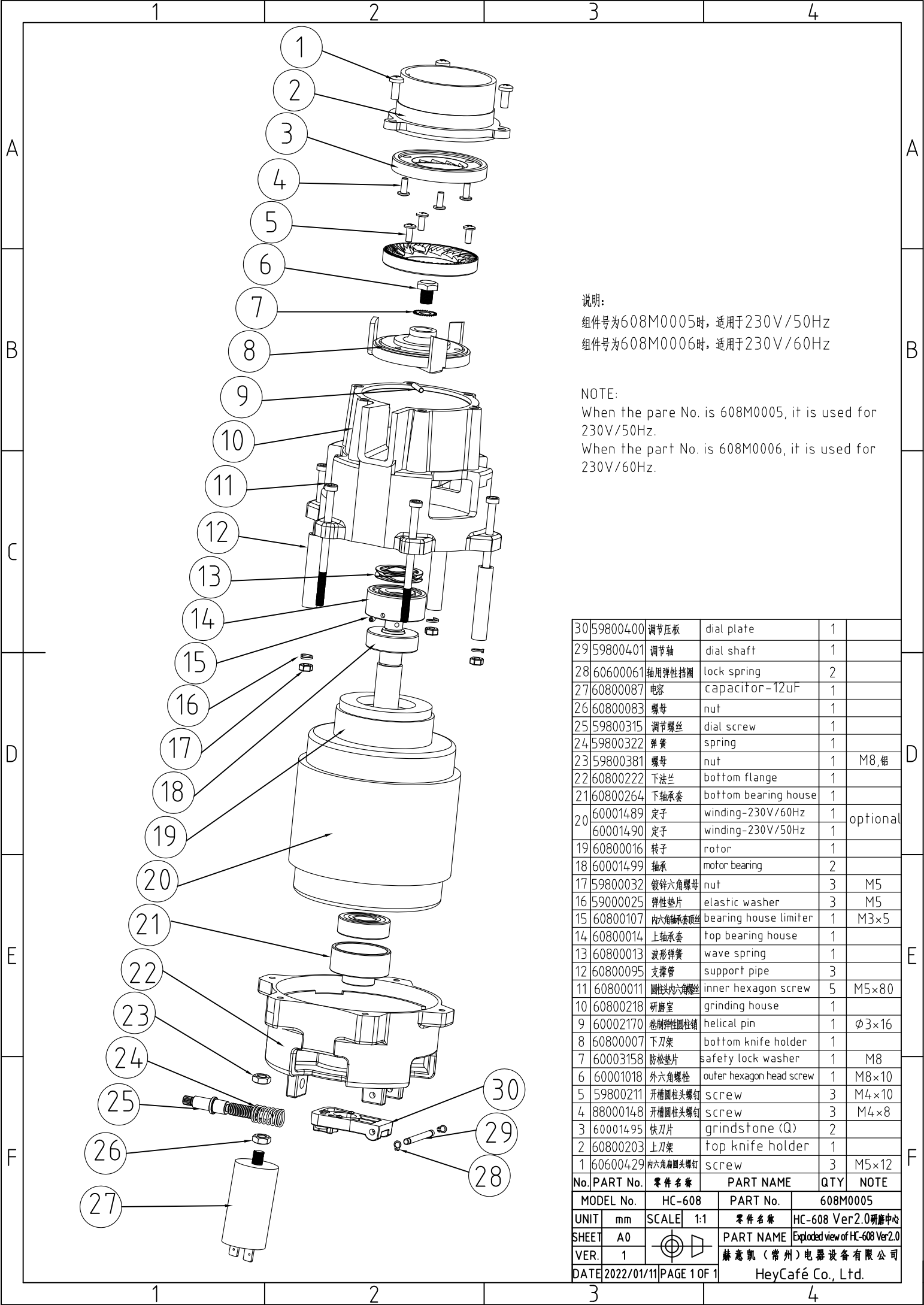


71	60001731	显示屏面板	display panel	1	
70	59800347	控制板上盖	dial top cover	1	
69	60001671	杯数按钮	top button for cup mode	2	
68	60001539	ODG V1灯管	light pipe	6	
67	60001670	研磨模式按钮	top button for grind mode	3	
66	60001734	自攻螺钉	self-tapping screw	4	PT M3×6
65	60001501AA	控制主板	control PCB	1	
64	59800358AA	5Pin灰色排线	wires for control PCB	1	
64	59800338	编码器按钮	encoder setting knob	1	
63	59800345	控制板下板	dial bottom plate	1	
62	59800378	螺钉WN14.12	self-tapping screw	3	KA30×18
61	59800348	电线盖板	cable cover plate	1	
60	59800359	螺钉WN14.12	self-tapping screw	4	KB4.0×10
59	59800382	海绵垫	sponge mat	2	
58	608M0057AA	ODG过滤器架	outlet housing set(esp)	1	
57	60800124	镀锌六角螺母	nut	2	M4
56	59800351	螺钉	screw	2	M4×18
55	59800374	自攻螺钉	self tapping screw	2	ST4.8×16
54	60800265	过滤器上盖	upper cover	1	
53	60800124	镀锌六角螺母	nut	2	M4
52	60002013	螺钉	screw	2	M4×12
51	60002281	螺钉	screw	2	ST3x8
50	60802311	微动开关	micro switch	1	
49	60800119	微动开关盖	switch cover	1	
48	59800030	螺钉	screw	4	ST3x8
47	60800121	微动开关弹簧	switch spring	2	
46	60800122	触片	trigger plate	1	
45	59800349	ODG过滤器架	ODG fliter holder	1	
44	60001725	开关按钮	knob	1	
43	59800313	按钮支架	knob frame	1	
42	59800431	带十字槽扁自攻螺钉	self-tapping screw	2	PT4×16
41	59800413	按钮适配器海绵垫	switch knob adaptor sponge sticker	1	
40	60001619	指示灯	signal lamp	1	230v
39	59800414	LED适配器	LED adaptor	1	
38	59800438	橡胶圆形垫圈	washer	2	
37	60002312	主开关	main switch	1	
36	59800306	托盘	tray	1	
35	59800360	机身底座盖板	base weight plate	1	
34	59800379	大平垫圈	big flat washer	4	φ5
33	59800372	螺钉	self tapping screw	5	ST4.8×9.5
32	59800373	螺钉	self tapping screw	4	ST4.8×13
31	60002200	机脚	leg	5	
30	59800430	自攻螺钉	self-tapping screw	1	ST4.2×19
29	59800326	螺钉	screw	4	ST4.2×19
28	60002340	电源线扣	wire bushing	1	
27	59800361	机身底座	base	1	
26	60001500AA	ODG V1主板	PCB plate ODG V1	1	
25	60001593	跳线槽	wire jumper	1	间距: 2mm
24	60002281	自攻螺丝	tapping screw	2	ST3x8
23	59800411	下机身	bottom body	1	
22	64800008	电机缓冲垫	motor cushion	4	
21	60001107	螺钉	screw	1	M3×10
20	59800327	颗粒微调按钮贴	dial knob sticker	1	
19	59800405	颗粒微调按钮	dial knob	1	
18	59800328	刻度按钮	scale sticker	1	
18	59800406	颗粒微调按钮支架	dial knob adaptor	1	
17	59800340	颗粒微调按钮海绵垫	dial knob adaptor sponge sticker	1	
16	60800207	机身	body	1	
15	608M0006	研磨核心	core grinder	1	230V 60Hz optional
15	608M0005	研磨核心	core grinder	1	230V 50Hz optional
14	59800030	螺钉	screw	2	GB/T 846 ST3x8 附
13	60800202	上适配器	top adaptor plate	1	
12	59800412	上机身	top body	1	
11	59800031	螺钉	screw	1	ST4.2×13
10	59800326	螺钉	screw	4	ST4.2×19
9	60800065AA	螺钉	screw	3	M5×12
8	59800321	螺母套	self tapping	1	M6×M4×8
7	60800103	内六角平端固定螺钉	hopper screw	1	M4×10
6	59800354	机身上盖	top cover	1	
5	88000114	螺钉	screw	1	M4×14
4	60001608	漏斗转接器	hopper adaptor	1	
3	60001111	漏斗门	hopper door	1	
2	60001346	漏斗	hopper	1	
1	60001491	漏斗盖	hopper lid	1	

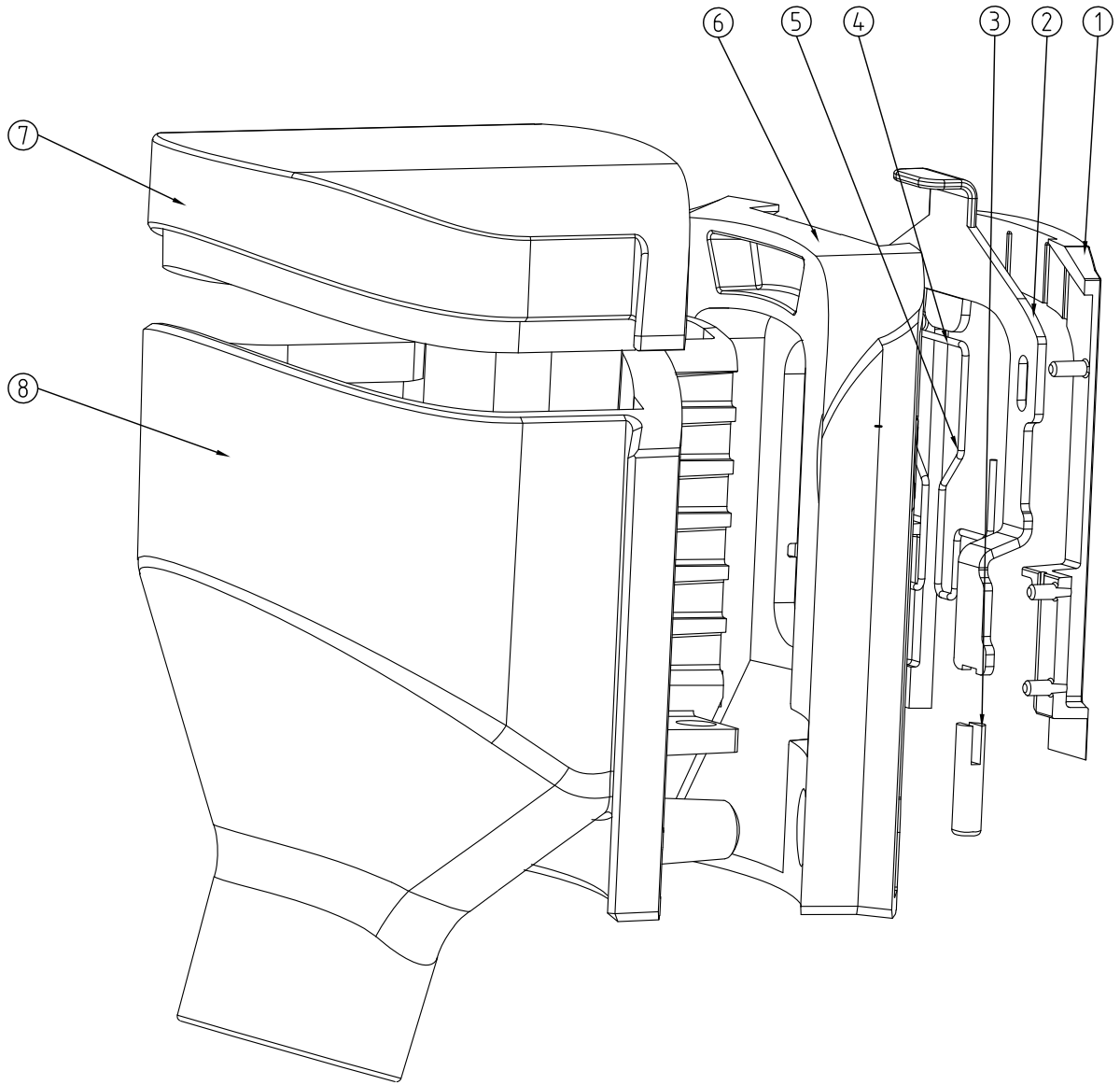
No.	PART No.	零件名称	PART NAME	QTY	NOTE	
	MODEL No.	Titan I ODG V1		PART No.	60800228	
UNIT	mm	SCALE	1:2	零件名称	Titan I ODG V1 VER2.0 附	
SHEET	A0	PART NAME				Exploded view of Titan I ODG V1 VER2.0
VER.	1	赫志凯(常州)电器设备有限公司				
DATE	2021/12/02	PAGE	1 OF 1	HeyCafé Co., Ltd.		



说明:  
 组件号为608M0005时, 适用于230V/50Hz  
 组件号为608M0006时, 适用于230V/60Hz

NOTE:  
 When the part No. is 608M0005, it is used for 230V/50Hz.  
 When the part No. is 608M0006, it is used for 230V/60Hz.

30	59800400	调节压板	dial plate	1	
29	59800401	调节轴	dial shaft	1	
28	60600061	轴用弹性挡圈	lock spring	2	
27	60800087	电容	capacitor-12uF	1	
26	60800083	螺母	nut	1	
25	59800315	调节螺丝	dial screw	1	
24	59800322	弹簧	spring	1	
23	59800381	螺母	nut	1	M8, 铝
22	60800222	下法兰	bottom flange	1	
21	60800264	下轴承套	bottom bearing house	1	
20	60001489	定子	winding-230V/60Hz	1	optional
	60001490	定子	winding-230V/50Hz	1	
19	60800016	转子	rotor	1	
18	60001499	轴承	motor bearing	2	
17	59800032	镀锌六角螺母	nut	3	M5
16	59000025	弹性垫片	elastic washer	3	M5
15	60800107	内六角轴承套顶丝	bearing house limiter	1	M3×5
14	60800014	上轴承套	top bearing house	1	
13	60800013	波形弹簧	wave spring	1	
12	60800095	支撑管	support pipe	3	
11	60800011	圆柱头内六角螺丝	inner hexagon screw	5	M5×80
10	60800218	研磨室	grinding house	1	
9	60002170	卷制弹性圆柱销	helical pin	1	φ3×16
8	60800007	下刀架	bottom knife holder	1	
7	60003158	防松垫片	safety lock washer	1	M8
6	60001018	外六角螺栓	outer hexagon head screw	1	M8×10
5	59800211	开槽圆柱头螺钉	screw	3	M4×10
4	88000148	开槽圆柱头螺钉	screw	3	M4×8
3	60001495	快刀片	grindstone (Q)	2	
2	60800203	上刀架	top knife holder	1	
1	60600429	内六角扁头螺钉	screw	3	M5×12
No.	PART No.	零件名称	PART NAME	QTY	NOTE
MODEL No.	HC-608	PART No.	608M0005		
UNIT	mm	SCALE	1:1	零件名称	HC-608 Ver2.0研磨中心
SHEET	A0			PART NAME	Exploded view of HC-608 Ver2.0
VER.	1				赫意凯(常州)电器设备有限公司
DATE	2022/01/11	PAGE	1 OF 1		HeyCafé Co., Ltd.



8	59800435	出口短管	ODG outlet short	1	
7	60001714	出口盖	ODG outlet cover	1	
6	60800230	出口连接板	powder outlet adaptor	1	
5	60800269	安全保护轴下	safety wire-bottom	1	
4	60800268	安全保护轴上	safety wire-top	1	
3	60001001	压板定位轴	locking pin	2	
2	60000890	出口盖固定压板	outlet lock	1	
1	60001027	出口盖固定压板盖	outlet lock cover	1	
No.	PART No.	零件名称	PART NAME	QTY	NOTE
MODEL No.	Titan II ODG		PART No.	608M0057AA	
UNIT	mm	SCALE	2:1	零件名称	意式出口盖组件
SHEET	A3			PART NAME	outlet set (esp)
VER.	3			赫意凯(常州)电器设备有限公司 HeyCafé Co., Ltd.	
DATE	2021/12/02		PAGE 1 OF 1		