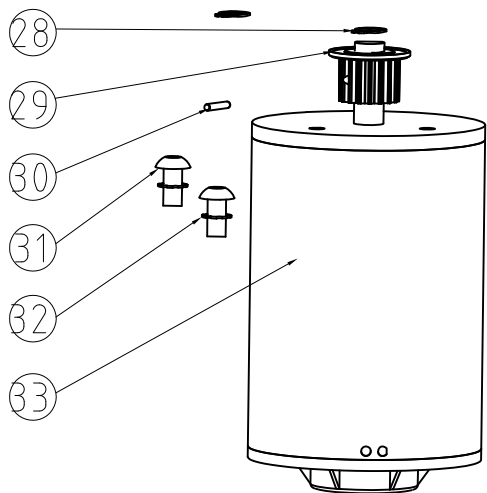
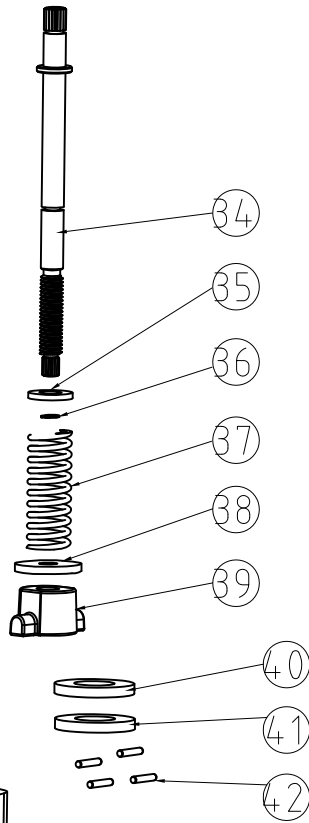
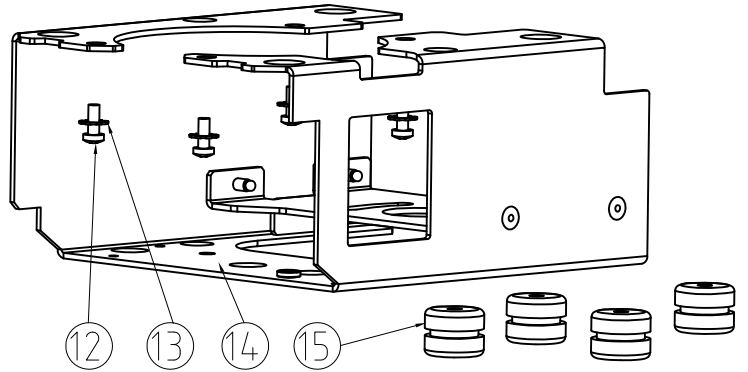
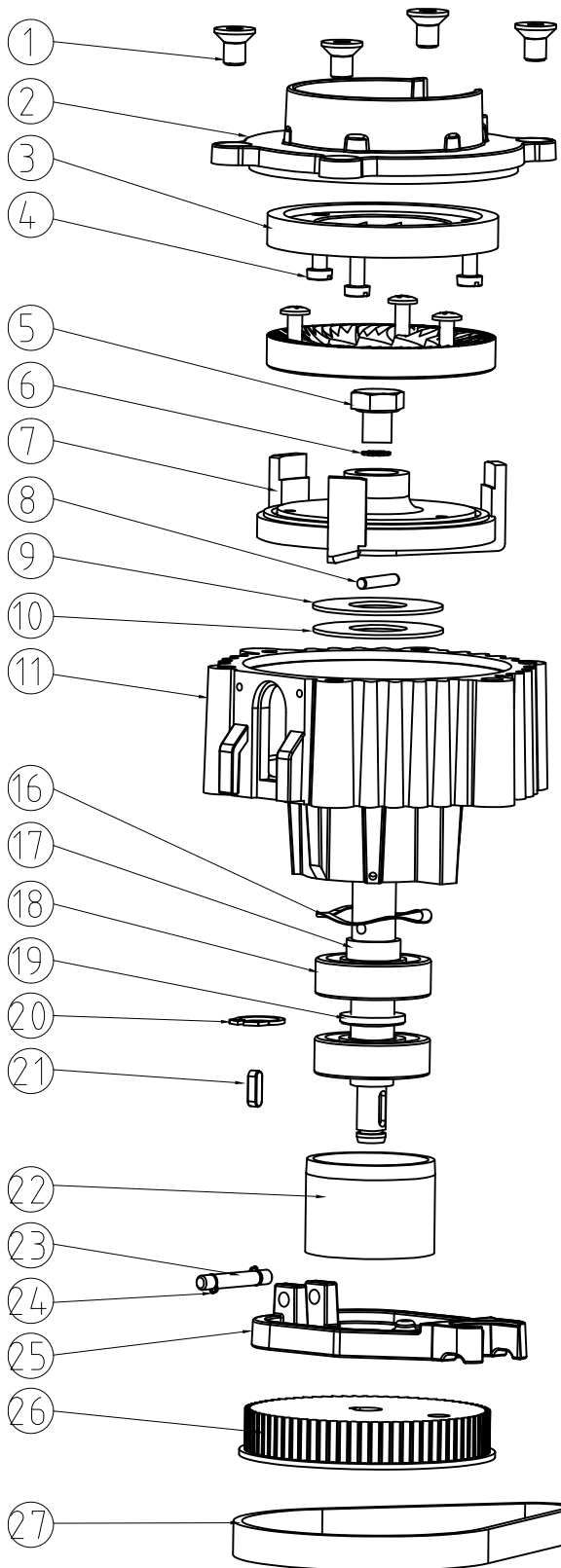


50	60600386AA	过滤器托架	Portafilter holder	1								
49	60600387AA	杯托	cup tray	1								
48	60600389	支架架内扣	accessory inner-holder	2								
47	60600443	支架架转接器	accessory holder adaptor	4								
46	60600388	支架架外扣	accessory outer-holder	2								
45	60600456	内六角螺钉	screws	2	M4×6, 黑色							
44	60600243	内六角螺钉	screws	4	M4×10							
96	60002180	螺钉	screws	1	M4×10		43	60600385	过滤器支架	Portafilter support	1	
95	60600258	防电锁扣	wire lock	1	UC-15		42	59000025	弹性垫圈	spring washer	2	φ5
94	60002340	电源线扣	wire bushing	1			41	60600469	过滤器支架	accessories holder	2	
93	60600329	带垫螺钉	screw with washer	5	PWB4×10		40	60600446	机身前盖	single front panel	1	
92	60002200	机脚	legs	5			39	60600424	螺钉	screws	2	ST3.9×9.5
91	606M0015	底座外焊接组件	base welding set	1	Weld		38	60600402	机身前盖支架	single top front panel	1	
90	59800031	螺钉	screws	8	ST4.2×13		37	59800032	螺母	nut	4	M5
89	60600330	底座	base	1			36	64800040	螺钉	screws	2	M4×12
88	60600478	托盘	tray	1			35	60600393	出粉管	chute pipe	1	
87	60600326AA	保险丝座	fuse housing	1			34	60600068	螺钉	screws	2	M2.5×6
	60600321AA	保险丝连接线	fuse socket cable	1			33	60600391	螺钉	tapping screws	1	PT M4×6
86	6060038AA	保险丝	fuse	1	optional		32	60600392AA	出粉口	outlet chute slope	1	
	6060037AA	保险丝	fuse	1			31	60600491AA	内挡粉片	inner leaf	1	镀锌
85	60600477	硅胶塞	cover	1			30	60600492	外挡粉片	outer leaf	1	硅胶
84	60002281	螺钉	screws	1	ST3×8		29	60600528-30	出粉室盖	nozzle body	1	
83	60600208	电池保护盖	battery cover	1			28	60600243	螺钉	screws	2	M4×10
82	60600320AA	精度电池主板	accuracy battery PCBA	1			27	60600420	精度电池-带盖	extrusion with printer	1	颜色加后缀
81	60002281	螺钉	screws	2	ST3×8		26	60800124	螺母	nut	4	M4
80	60600459	主板支架	PCAs holder	1			25	60600066	平垫	washer	4	φ4
79	60001450	定子压板	winding stopper	2	ST4.2×13		24	60600471-22	上盖支架-黑色	top single holder-black	1	
78	59800031	自攻螺钉	self-tapping screw	2			23	60600004	螺钉	screws	4	M4×16
77	60600460	电源主板绝缘板	PCB isolate plate	1			22	59800031	螺钉	screws	8	ST4.2×13
76	60600328	尼龙螺钉	screws	1	M3×6, 黑色		21	60600233AA	LED主板	LED PCB	1	
75	60600322A	电源主板	power board PCB	1	230V/110V		20	60600234	LED弹簧	LED spring	1	
74	60600472	尼龙螺钉	screws	2	M4×8, 黑色		19	60600529	灯罩支架	LED cover holder	1	
73	606M0039	微动开关焊接组件	micro switch welding set	1			18	60600342	灯罩	LED cover	1	
72	60600455	螺钉	screws	2	M2×10		17	60600475	理线扣-带背胶	wirer lock with sticker	2	
71	60600451BB	微动开关微动轴	micro switch demand	1			16	60600243	螺钉	screws	4	M4×10
70	60600453	六角薄螺母	nut	1	M8		15	60600527-30	机身上盖	top spyder	1	
69	60600447BB	微动开关支架	micro switch holder	1			14	60002281	螺钉	screws	4	ST3×8
68	60600450AA	点动按钮连接轴套	demand pipe	1			13	60600441	调节按钮缓冲环	dial knob ring	1	
67	60600454AA	压簧	spring	1			12	60600442	调节按钮轴	dial knob worm	1	
66	60600448AA	点动帽	demand head	1			11	60600514	调节按钮	dial knob	1	
65	60600449	点动缓冲帽	espresso cushion	1			10	60600444	圆柱销	dial pin	1	φ2×24
64	60600468	电源控制开关	powder switch	1			9	60600445	按钮轴轴固定架	dial worm holder	1	
63	60600476	机身右侧板	extrusion side right panel	1	颜色加后缀		8	60600439	调节按钮轴套	knob support	1	
62	60600317AA	精度显示主板	accuracy display PCBA	1			7	60002276	螺钉	screws	1	M3×8
61	60600268	显示屏海绵垫	LCD frame sponge	1			6	60600367	装饰环	Top ring	1	
60	60600306	显示屏保护框	LCD frame	1			5	60600238	磁铁	magnet	3	
59		研磨核心	core grinder	1			4	60600302	漏斗门	hopper door	1	
58	60600068	螺钉	screws	2	M2.5×6		3	60600484	漏斗	hopper	1	
57	60600239AA	保护开关	micro switch	1			2	60600255	漏斗芯	hopper ring	1	
56	60002276	螺钉	screws	2	M3×8		1	60600307AA	漏斗盖	hopper lid	1	
55	59000020	弹性垫圈	spring washer	4	φ3		No.	PART No.	零件名称	PART NAME	QTY	NOTE
54	60600533	固定螺钉	screws	4	M3×3		MODEL No.	H1	PART No.	60600479		
53	60600532	六角连接柱	hexagon pipe	2			UNIT	mm	SCALE	1:5	零件名称	H1爆炸图
52	60600534	电话屏连接套	connector	1			SHEET	A3			PART NAME	Exploded View of H1
51	60600332AA	精度电位器主板	accuracy potentiometer PCBA	1			VER.	1			赫意凯(常州)电器设备有限公司	
No.	PART No.	零件名称	PART NAME	QTY	NOTE	DATE	20220117	PAGE	10F2	HeyCafé Co., Ltd.		



42	60600059	限定螺钉	screw	4	M4×3.5	
41	60600363	定位环	limitation ring	1		
40	60600416	定位环	locking ring	1		
39	60600256	调节螺母	dial screw ball nut	1		
38	60600361	大垫圈	bull nut washer	1	φ6	
37	60600362	压簧	spring for dial mechanism	1		
36	60600372	开口挡圈	circle for dial screw	1	φ4	
35	60600474	平垫圈	washer	1	φ6×φ12×1.5	
34	60600359AA	调节螺栓	dial screw	1		
33	60600333BB	电机	MC DC motor	1	230V	optional
	60600493BB	电机	MC DC motor	1	110V	optional
32	60002130	外锯齿垫片	Serrated washer	2	M5	
31	60600429	螺钉	screw	2	M5×12	
30	60600401	限定螺钉	screw	1	M3×4	
29	60600400	同步带轮	Timing pulleys	1	T18	
28	60002110	弹性挡圈	lock spring	2	8#	
27	60600007	皮带	driver belt	1		
26	60600434	从动皮带轮	cylinder gear	1	T72	
25	60600497	调节压板	dial plate	1		
24	60600061	弹性挡圈	lock spring	2	4#	
23	60600010	压板销	shaft pin	1		
22	60600436	轴承套	pipe bearing house	1		
21	60600083	平键	flat key	1	A3-3-10	
20	60600181	弹性挡圈	lock spring	1	12#	
19	60600009	轴承平垫	bearing washer	1		
18	59800432	轴承	ball bearing	2	6201-22	
17	60600437	主轴	knife shaft	1		
16	60600158	波形弹簧	helical spring	1		
15	60600005	缓冲垫圈	buffer cup	4		
14	60600076AA	电机安装板	motor down plate	1		
13	60002130	外锯齿垫片	Serrated washer	4	M5	
12	60002012	螺丝	screw	4	M5X12	
11	60600364	研磨室	grinding house	1		
10	60600435	轴承防尘盖	bearing dust cover	1		
9	60600466	防尘盖	dust cover	1		
8	60600431	圆柱销	helical pin	1	φ3X16	
7	60600215	下碟-ditting	bottom knife holder-ditting	1		optional
	60600187	下刀架	bottom knife holder	1		
6	60003158	防松垫片	safety lock washer	1	M8	
5	60001018	六角头螺栓	screw	1	M8X10	
4	59800211	螺丝	screw	6	M4X10	
3	60600377	ditting刀片	ditting grindstone	2		optional
	60001495	刀片	grindstone	2		
2	60600314	上碟-ditting	top knife holder-ditting	1		optional
	60600313	上刀架	top knife holder	1		
1	60800065AA	螺丝	screw	4	M5×12	
No.	PART No.	零件名称	PART NAME	QTY	NOTE	
MODEL No.	H1	PART No.	60600479			
UNIT	mm	SCALE	1:5	零件名称	H1爆炸图	
SHEET	A3			PART NAME	Exploded View of H1	
REV	1					
DATE	2022.01.11	PAGE	2 OF 2	赫志凯(常州)电器设备有限公司 HeyCafé Co., Ltd.		